

# BAREV BL N

LED panel

$[V]$ 220-240 AC	$[Hz]$ 50	$\frac{lm}{W}$ 95	 $\geq 15000$	$[h]$ 20000	 ellipso $\leq 6x$ MacAdam	 Ra 80
 SMD			<b>IP</b> 20		 $[^{\circ}C]$ 5+25	
	 0,5m					



BAREV BL LED N 40W-NW

	 [W]		 [lm]	 [ $^{\circ}$ ]	 $T_c$ [K]	
BAREV BL LED N 40W-NW	<b>31170</b>	40	biela	3800	110	4000

LED panel (typ "backlite") s výkonom 40W.

- Materiál korpusu: oceľ
- Materiál difúzora: plast

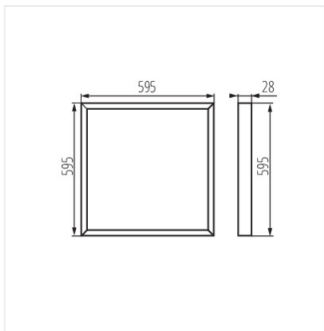


BAREV BL LED N 40W-NW

## BAREV BL N

---

### LED panel



BAREV BL LED N 40W-NW