

TP SLIM LED

Lineárne LED svietidlo



up to
110 $\frac{\text{lm}}{\text{W}}$



$[V]$ 220-240 AC	$[Hz]$ 50	 ≥ 20000	 25000	 elliptipse $\leq 6^\circ$ MacAdam	 80	 SMD
		IP 65		 $-20 \div 40$		IK 08
	$1-2,5$ [mm]	$0,5m$	CE	EAC	UK CA	



	$[W]$	$[lm]$	$T_c [K]$	$[^\circ]$	
TP SLIM LED 40W-NW	27115	40	4400	4000	X145/Y110 biela
TP SLIM LED 50W-NW	27116	50	5500	4000	X145/Y110 biela

- Materiál korpusu: plast
- Materiál difúzora: plast



TP SLIM LED

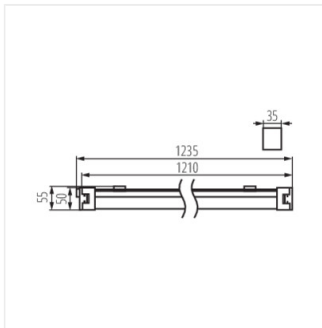
Lineárne LED svietidlo



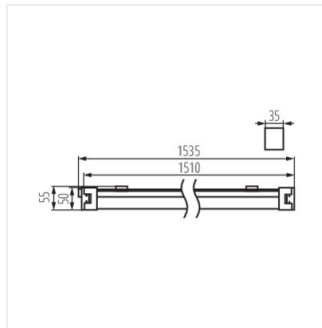
TP SLIM LED 40W-NW



TP SLIM LED 50W-NW



TP SLIM LED 40W-NW



TP SLIM LED 50W-NW