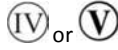



Country of Origin : China

Operating Temperature : 0 ~ 40 [°C]

Dimension : 75 x 34 x 43 [mm]

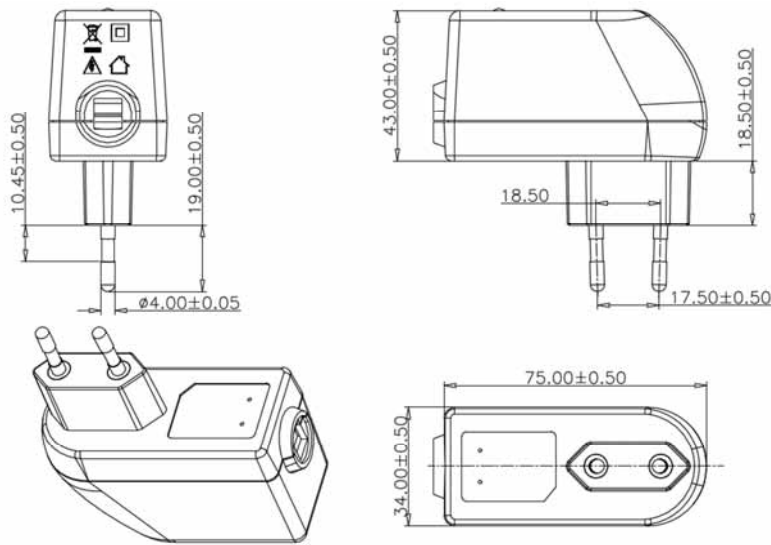
EFFICIENCY LEVEL (ErP) : 

Approvals / Marks : 

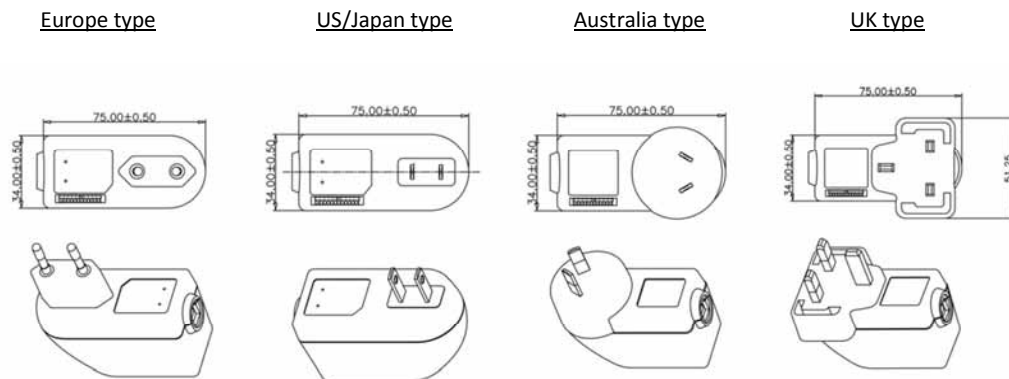


Features:										
PWMIC electrical design.						For I.T.E. use only + RoHS conform.				
Wide range Input (90 ~ 264) VAC / (47 ~ 63) Hz.						Over load, over voltage & short protection.				
Output connector: standard: 2.1x5.5x11 or customer requirement.										
Available in versions: W2E(EU), W2(USA), W3U(UK), W2A (Australia), W2K(Korea), W2C (China).										
Specification:										
			OUTPUT							
	Model	Voltage DC [V]	Loading [A]	Tol. [%]	OCP [A]	OVP max [V]	Efficiency [%]	Max. Power [W]	Ripple & Noise [mV] p-p	Connector UL Approved [mm]
ErP IV.	SYS1308-1506-W2E	6	0~2.50	±5	3.5~6.0	10	>77.6	15	100	2.1X5.5X11
	SYS1308-1808-W2E	7.5	0~2.40	±5	3.0~5.5	16	>77.6	18	100	2.1x5.5x11
ErP V.	SYS1308-1809-W2E	9	0~2.00	±5	2.5~4.5	16	>77.6	18	100	2.1x5.5x11
	SYS1308-2412-W2E	12	0~2.00	±5	3.5~5.5	16	>82	24	120	2.1x5.5x11
	SYS1308-2415-W2E	15	0~1.60	±5	2.0~4.0	25	>82	24	150	2.1x5.5x11
	SYS1308-2418-W2E	18	0~1.33	±5	2.0~4.0	25	>82	24	180	2.1x5.5x11
SYS1308-2424-W2E	24	0~1.00	±5	1.5~4.5	35	>82	24	240	2.1x5.5x11	
OEM Production: This model is certified for Uout=(3,5,6,7.5,9,12,15,18,24)V and Pout=in steps(9,15,18,24)W										
INPUT	Voltage		(90 ~ 264)VAC							
	Frequency		(47 ~ 63)Hz							
	Current		1A rms@ AC low line input and DC output full load							
	Inrush Surge Current (cold start)		40/60Amax. @ power supply cold start, ambient temperature 25°C @115Vac/230Vac nominal AC input.							
	Leakage current		<0.25 mA @ 240VAC input							
PROTECTION	Over load	OCP	Fold back							
	Over Voltage	OVP	Voltage limiting							
	Short Circuit		Yes, Output to Ground, Auto recovery when fault has been removed. Short Current & Over Current can not exceed 8A max. after 1minute at nominal line input.							
	Protection class		II.							
No Load Operation		Yes, to protect the power supply and system from damage								
OTHERS	Dielectric Strength		HI-POT B / I/P-O/P (FG): 3KVAC / 10mA / 1 minute							
	Set up time		5000ms max. @ AC low line Input & Output full load							
	Hold-up Time		10ms @ AC nominal Input and Output full load							
	MTBF Qualification		50K hours full rated load operation at 25°C, according to the MIL-HDBK-217F.							
	DC cable & connector		Standard length of the cable 1,8m & It depends on customer requirements and upon specifications							
	Efficiency (Normal)		>77.6% min. @ 240VAC input & Full load							
	Efficiency level		IV & V							
Power Consumption		Max. 0.5W @ AC nominal Input and Output min. load – ERP IV. / ERP V has <0.3W								
Input Fuse		1A protected against power line surges and any abnormal conditions								
ENVIRONMENT	Temperature		Operating: (0 ~ 40)°C / Storage: (-20 ~ 85)°C							
	Humidity		Operating: (8 ~ 90)% RH / Storage: (5 ~ 95)% RH non condensing							
SAFETY		CE TUV/GS CB UL CUL FCC T-Licence C-Tick DOFT BSMI PSE VCCI CCC PSB KC								
EMC	EMI		EN 55022 Class B (2006)+ A1(2007) EN 61000-3-2 (2006) + A1(2009) + A2 Class A(2009)/EN 61000-3-3 (2008)							
	EMS		EN55024(1998)+A1(2001)+A2(2003) IEC 61000-4-2 (2008) IEC 61000-4-3 (2006) + A1(2007) + A2(2010) IEC 61000-4-4 (2004) + A1(2010) IEC 61000-4-5 (2005) IEC 61000-4-6 (2008) IEC 61000-4-8 (2009) IEC 61000-4-11 (2004)							
WEIGHT	1pc		N.W.: 150g / pc							
PACKING	Box	0.48 x 0.26 x 0.44 [m]								
		80pcs / 1box								
		G.W.: 16.8kg / box								

Mechanical case specification:



Mechanical specification (country housing):



Cable specification:

1185#20*1C + shield / 6FT (1830mm)

