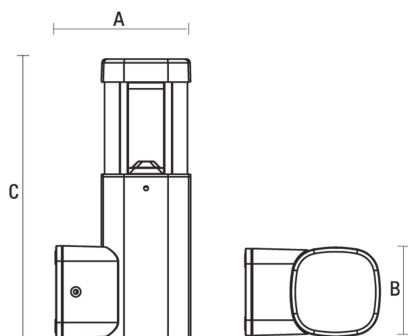


TORRE LED




Technical data:

| | |
|-----------------------------------|----------------|
| Code | SLI003020WW |
| Power | 7 W |
| Nominal current | 60 mA |
| Voltage | 230 V |
| Energy efficiency class | LED |
| Energy consumption | 8 kWh/1000h |
| Frequency | 50 Hz |
| Protection class | I |
| Luminous flux | 450 lm |
| Lamp efficacy | 64 lm/W |
| Colour temperature | 3000 K |
| Colour of light | WW |
| RA | 80 |
| Uniformity of color SDCM max | 5 |
| Dimmable | - |
| Working temperature range | -20/+40 ° |
| Lifespan | 17000 h |
| Housing material | Aluminum |
| Degree of protection (IP) | IP54 |
| Colour | Gray |
| Weight | 0,673 kg |
| For use | Inside,Outside |
| Assembly | On the ceiling |
| Application | INT/EXT |
| Number of pieces on the packaging | 16 pcs. |
| Made in | PRC |



Related documents:

 Declaration of Conformity